

LAPTOP TRAYS

907-0103A



Same features as the Universal Tray with added ability to lock the laptop in place using a key lock.

907-0151A (not shown)
Universal locking tray 14+

907-0039



Universal laptop tray designed to hold 95% of all available laptop computers. Uses side mount fingers to secure the laptop in place. The tray is adjusted to fit the laptop and tightened when properly adjusted.

907-0120B



Locking trays available to fit specific laptop computers and two piece fixed mobile computers. Trays accommodate drives, ports and include a keyed lock. Specify computer model. Part # 907-0120B for Panasonic CF-18

LAPTOP MOUNTS



ELECTRONICS CO. LTD.
EMERGENCY VEHICLE SOUND, LIGHTING & EQUIPMENT

DOCKING STATIONS

PANCF18



Specifications:

- Rugged steel and aluminum with a black powder coated finish
- Lockable keyed alike or optional master keyed
- Pre-drilled holes aligned for use on all D&R model type mounts

Features:

- Designed using MIL-STD-810F test procedures
- Floating docking connector for easy docking alignment
- Internal protected circuit board
- Compression latch
- Rounded edges no sharp corners
- High grade aluminum machined pins for ease of computer placement

Ports:

- USB (4) pin
- Serial (2) D sub 9 pin
- External key board mouse Mini 6 pin
- Microphone mono phone jack
- Wireless Antenna Coaxial connection
- External video (D-Sub 15 pin)
- Headphones/speaker (stereo phone jack)

PANCF29/PANCF30



POWER SUPPLY

The Panasonic docking station includes built-in DC to DC power supply to maintain computer power and provide charging for the battery.

*** FOR LIST OF AVAILABLE DOCKING STATIONS, PLEASE CONTACT YOUR SALES REPRESENTATIVE ***



MOBILE DESK

LT5800

Seat-top laptop mount.

Comes with:

- tension swivel
- slide track
- cup holder
- dual 12 volt power outlet
- SPST illuminated switch (shown with optional map light)

Uses front passenger side seat belt to hold unit in place. The mobile desk is constructed from lightweight aluminum material and includes a 6-foot coil cord lighter plug.



LAPTOP MOUNTS & TRAYS

D&R ELECTRONICS CO. LTD.
8820 GEORGE BOLTON PKWY. / BOLTON, ONTARIO L7E 2Y4 CANADA
TEL: 905-951-9997 / Toll free (US only): 1-800-538-7338 / FAX: 905-951-0019
www.dandrelectronics.com

www.dandrelectronics.com

ISO 9001:2000
REGISTERED COMPANY

LAPTOP MOUNTS

LT6600

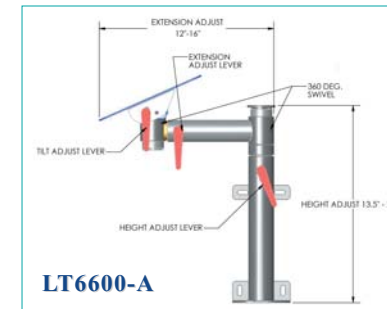
The LT6600 Passenger Side Mount connects to the passenger seat bolts using a vehicle specific mounting kit. It is a full featured computer mount with height, tilt, swivel and extension adjustments. It utilizes laser cut swivel components to provide a compact unit ideal for small to full size cars and SUV's. Mounting kits available for a wide selection of vehicles, please contact your local sales representative for more details.



LT6600 SHOWN W/FORD EXPLORER MOUNTING KIT



LT6600 SHOWN WITH CHARGER MOUNTING KIT



LT6600 FUNCTIONALITY

Height can be set by the user from 13.5" to 21.5". Extension adjustment allows the user to move the computer towards or away from their reach to a comfortable working position (12"-16"). Tilt adjustment allows the user tilt the computer to a comfortable working position (0-20 deg). Physical Specifications: Height(H)-15" / Width(W)-10" / Depth(D)-14"

LT5000



Laptop mount with swivel and tilt adjustment. Forward and back tilt. Tension swivel base. Heavy duty 10-gauge base.

LT5100



Laptop mount with bearing detent swivel, 80 degrees to passenger and driver. The mount raises from 6.5" to 10" utilizing telescoping tubing w/heavy duty clamp lever. Built-in slide tray with four 1.5" increments. Air Bag compatible.

LT5200

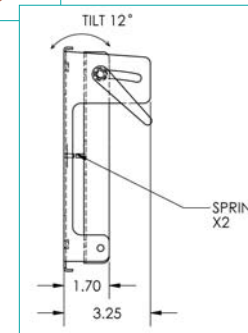


Telescoping laptop mount with adjustable mount base. Ball bearing detent swivel base allows for 80 degrees swivel to both passenger and driver. Angled, spring loaded telescoping riser lets mount height be adjusted from 6.5" to 10". Riser is secured in position by a heavy duty clamp lever. Includes a built in, quick release sliding tray that extends in four (4) 1.5" increments. Air Bag compatible.

907-0175A



Tilt Adapter for laptop mounts. Compatible with all D&R Electronics laptop models.



LT5300



Laptop mount with ball bearing detent swivel, 80 degrees to passenger and driver. The mount raises from 11.25" to 17.50". Built-in slide tray with four 1.5" increments. Designed to fit most Vans & Trucks.

LT5400



Laptop mount designed for trucks and vans, height adjustment from 13.00" to 19.50", tension swivel & tilt feature with full swing arm feature. Heavy duty 10 gauge base.

LT7000



Utilizes a linear bearing system to provide smooth and easy operation. Simply grab the sides of the laptop and pull up on the release paddle; adjust it to the desirable height and release the paddle to lock it in place. It's tall format makes it ideal for full size SUVs, Vans or Trucks. The height is adjustable from 8.25" to 27" at 1" increments.

LT6100 LAPTOP BASE

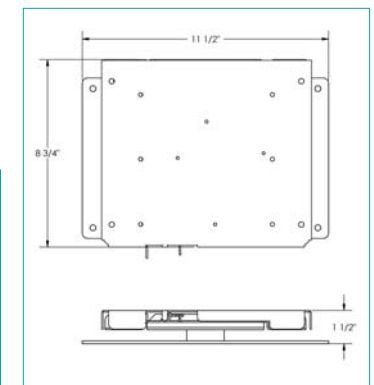
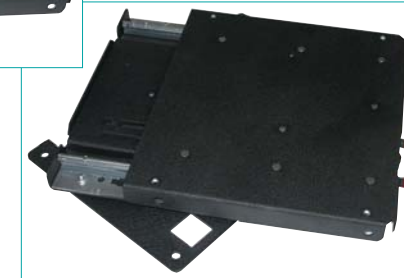


Table-top laptop base with tension swivel, slide-track tray. The LT6100 is constructed from lightweight aluminum material. Dimensions: W-11 1/7", D-5 3/4", H-1 1/2"